

Lieto™ RGBW LED Light Fixture

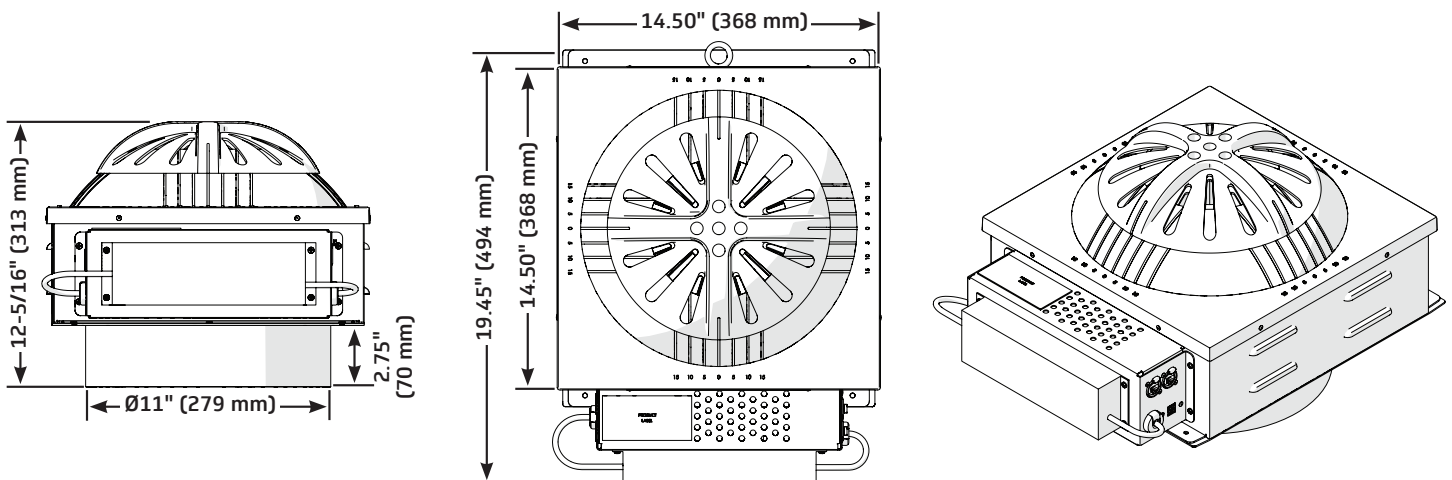
Lieto is an LED light fixture specifically designed for use in Wenger orchestra shells and is offered in RGBW. The shallow mechanical design fully encloses components and includes a powder-coat steel bezel to properly finish the shell ceiling appearance from below.

Features

- Designed for use in Wenger acoustical shell applications
- Aluminum fixture construction and shallow ABS housing are compact and lightweight
- Three axis beam positioning provides tool-less pan, tilt and rotation utilizing a face side adjustment mechanism
- High output CREE LED light engine - 12,000 lumens produced @ 150 watt setting
- Quiet with no buzzing, detectable RFI or cooling fans
- NC-17 acoustical rating
- No IR heat or UV produced
- Choice of 18, 25 and 34 degree beamspread options
- Choice of color temperature options - 2700K, 3000K and 4000K
- Optional concentric ring louvre
- 1% DMX512 dimming, without visible stepping, flash or flicker
- RDM remote fixture address and status reporting
- USB download of performance and usage data
- Each fixture individually addressable and controllable and includes an integrated tilt switch
- Fixtures are RDM compatible at all times – including performance and storage position
- Compatible with DMX512 controlled UL924 emergency lighting solutions
- Energy efficient and LEED certification friendly; Wattage is firmware selectable
- Long life L70 > 70,000 hours
- MVOLT - Compatible with 100 - 240 VAC 50 / 60 Hz electric service
- ETL and CE listed and labeled
- RoHS compliant and IP20 rated
- Includes safety cable lanyard
- Includes configuration tablet/firmware/USB Cable
- Five-year limited warranty
- Patent pending



Dimensions



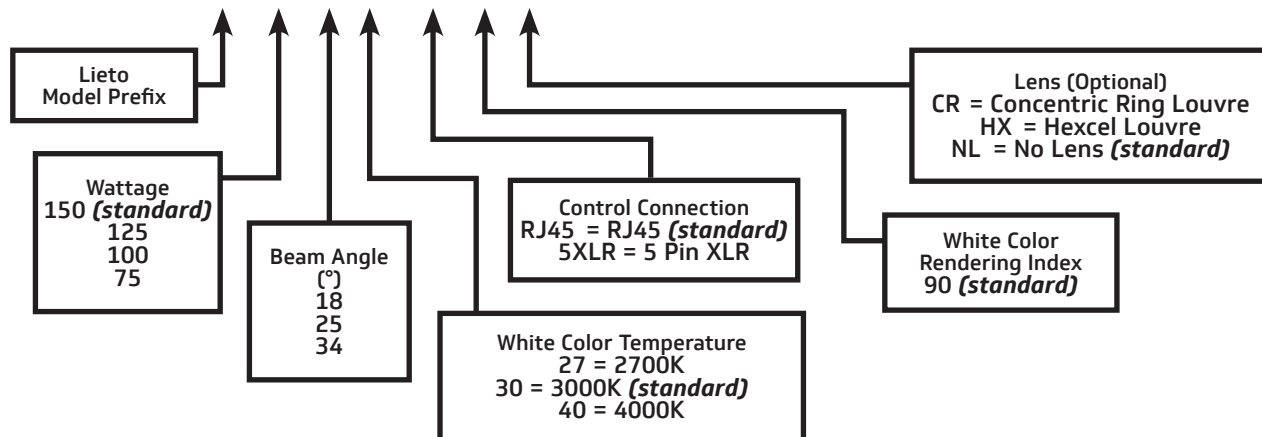
Optical Performance

Lieto IES files were created using a calibrated goniophotometer by a third party independent laboratory. Wenger Corporation can assist with photometric calculations and layout recommendations using Lighting Analysts AGI software. IES files can be requested from Wenger and are also available for download from www.wengercorp.com.

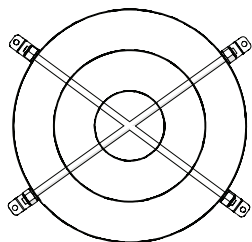
Ordering Code	Description	Lumens	LPW	Beam Angle (50%)	Field Angle (90%)
CLTO-150-18-30-RJ45-80-NL	18°, 150 watts, 3000K	8918	65.8	18	31
CLTO-150-25-30-RJ45-80-NL	25°, 150 watts, 3000K	8545	61.7	25	46
CLTO-150-34-30-RJ45-80-NL	34°, 150 watts, 3000K	8644	62.6	34	60

Ordering Information

Ordering Code Example: CLTO-150-25-30-RJ45-90-NL



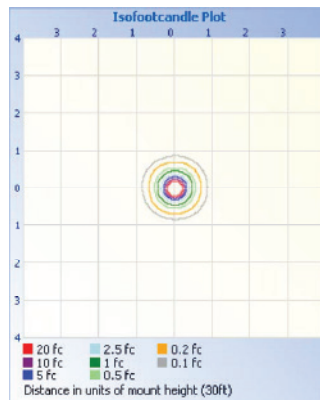
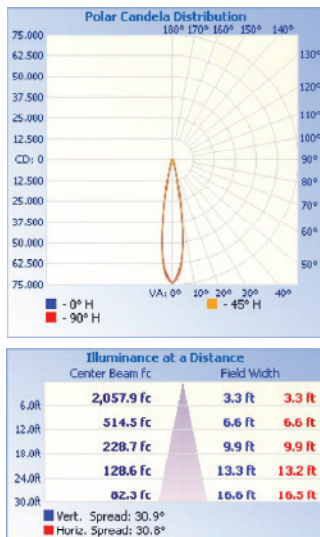
Accessories



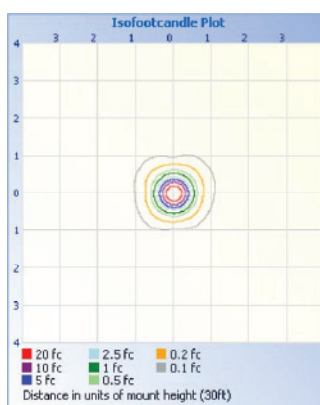
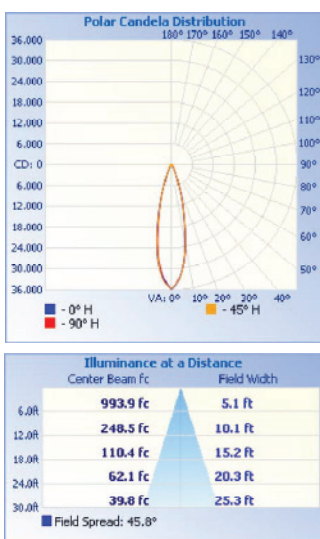
Concentric Ring Louvre
16% Lumen Reduction

Photometrics

Filename: CLTO-150-18-30-RJ45-80-NL
 Luminaire: Stage Light
 Lamp Output: 1 lamp, rated Lumens/lamp: 8917.8
 Max Candela: 74,084.0 at Horizontal: 0°, Vertical: 0°
 Input Wattage: 135.6
 Luminous Opening: Circular (Dia: 11.04")
 Test Date: 2019-03-26
 Test Lab: Intertek
 Photometry: Type C
 CIE Class: Direct
 Cutoff Class: Cutoff
 Nema Type: 3 X 3



Filename: CLTO-150-25-30-RJ45-80-NL
 Luminaire: Stage Light
 Lamp Output: 1 lamp, rated Lumens/lamp: 8545.1
 Max Candela: 35,779.7 at Horizontal: 0°, Vertical: 0°
 Input Wattage: 138.5
 Luminous Opening: Circular (Dia: 11.04")
 Test Date: 2019-03-26
 Test Lab: Intertek
 Photometry: Type C
 CIE Class: Direct
 Cutoff Class: Cutoff
 Nema Type: 3 X 3



Filename: CLTO-150-34-30-RJ45-80-NL
 Luminaire: Stage Light
 Lamp Output: 1 lamp, rated Lumens/lamp: 8643.9
 Max Candela: 21,170.3 at Horizontal: 0°, Vertical: 0°
 Input Wattage: 138.1
 Luminous Opening: Circular (Dia: 11.04")
 Test Date: 2019-03-27
 Test Lab: Intertek/Aquarii
 Photometry: Type C
 CIE Class: Direct
 Cutoff Class: Cutoff
 Nema Type: 4 X 4

